

OPzV200-2(2V200AH)

Valve Regulated Tubular Gel Battery

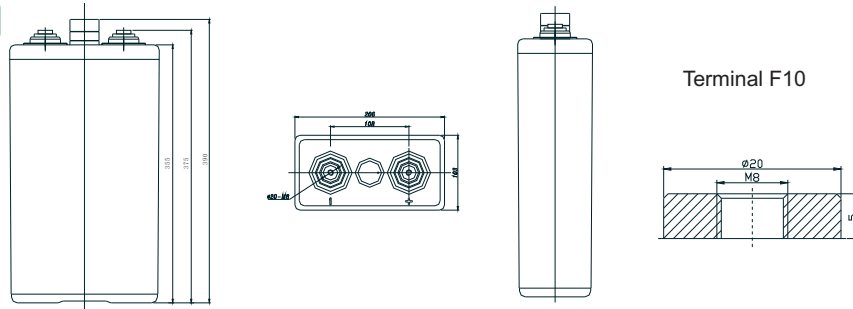
Specification		
Nominal Voltage	2V	
Nominal Capacity(10HR)	200.0AH	
Dimension	Length	103±2mm
	Width	206±2mm
	Container Height	390±2mm
	Total Height with terminal	390±2mm
Approx Weight	Approx 17 kgs	
Container Material	ABS	
Rated Capacity	200.0AH@10hr rate to 1.80V per cell at 25°C	
Max.Discharge Current	1000A(5s)	
Internal Resistance	Approx 0.6 mΩ	
Operating Temp.Range	Discharge: -40~70°C	
	Charge : 0~50°C	
	Storage: -20~60°C	
Normal Temp.Range	25±5°C	
Equilization cycle service	2.37V-2.40V at 25°C,Max.charging current 40A	
Float charging voltage	2.25V-2.3V at 25°C	
Self discharge	Batteries shall be charged within 6 months storage	



Applications

- ◆ UPS, EPS, communication system
- ◆ solar system, computer, lights and
- ◆ signal, medical, radio, radar, mobile station, elevator, satellite stations,
- ◆ pump system, boats, golf trolley, toys, flash for mining, fire alarm, power plants, railway system.

Dimensions



Constant Current Discharge (Amperes) at 25 °C

F.V/ Time	30min	1h	2h	3h	4h	5h	6h	8h	10h	20h
1.90	98.39	77.98	54.98	41.69	34.18	29.58	26.59	20.75	17.79	9.40
1.87	111.1	85.99	58.98	44.21	36.08	31.06	28.18	21.71	18.59	9.75
1.83	125.8	96.11	64.08	47.18	38.12	32.49	29.28	22.68	19.38	10.22
1.80	141.1	104.5	66.38	48.51	38.78	33.22	30.11	23.30	20.08	10.58
1.75	156.5	111.8	69.39	50.48	39.39	34.11	30.59	23.68	20.41	10.69
1.70	171.9	115.5	71.39	51.48	40.11	34.39	31.15	23.88	20.66	10.88
1.65	177.8	122.8	73.79	52.78	40.62	34.78	31.39	24.05	20.78	10.98
1.60	184.9	126.8	76.66	55.11	41.85	35.42	31.88	24.28	21.08	11.08

Constant Power Discharge (Watts/cell) at 25 °C

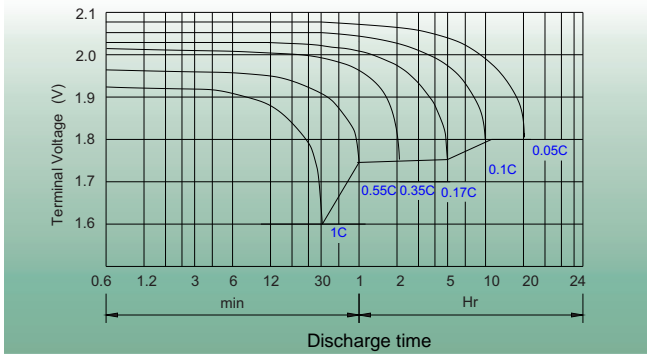
F.V/ Time	30min	1h	2h	3h	4h	5h	6h	8h	10h	20h
1.90	188.9	150.1	106.6	80.79	66.95	58.22	52.69	41.55	36.23	19.11
1.87	207.8	162.3	113.0	84.68	70.52	61.01	55.62	43.23	37.88	19.83
1.83	231.8	177.5	120.5	89.01	73.93	63.39	57.45	44.85	39.22	20.55
1.80	253.2	189.5	124.5	91.02	75.39	64.79	58.82	45.79	40.17	21.11
1.75	275.8	197.2	128.9	93.85	76.36	66.42	59.86	46.35	40.79	21.40
1.70	295.8	199.3	131.8	95.45	77.61	67.11	60.43	46.79	41.17	21.61
1.65	300.8	207.9	134.2	97.51	78.62	67.65	61.06	47.18	41.39	21.66
1.60	303.2	215.1	138.5	100.6	80.65	68.18	61.42	47.39	41.55	21.83

OPzV200-2(2V200AH)

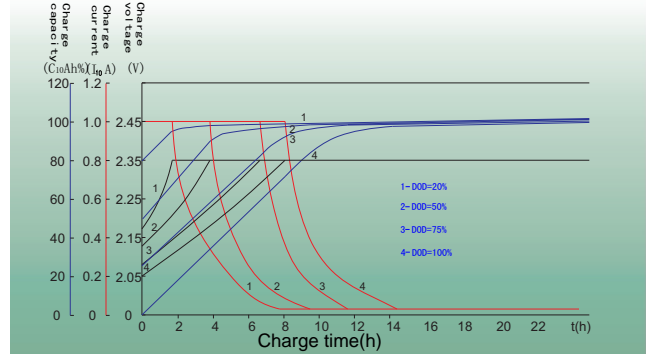
Valve Regulated Tubular Gel Battery



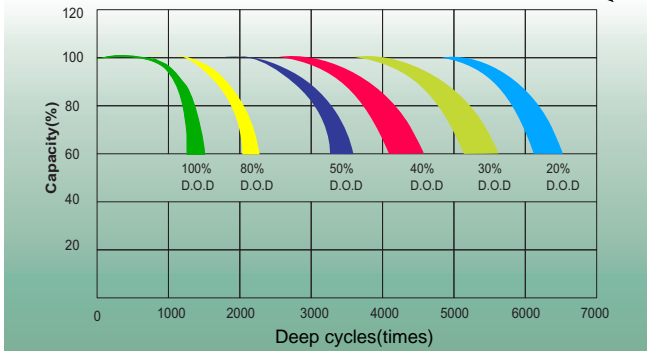
Discharge Characteristics Temperature: 25°C



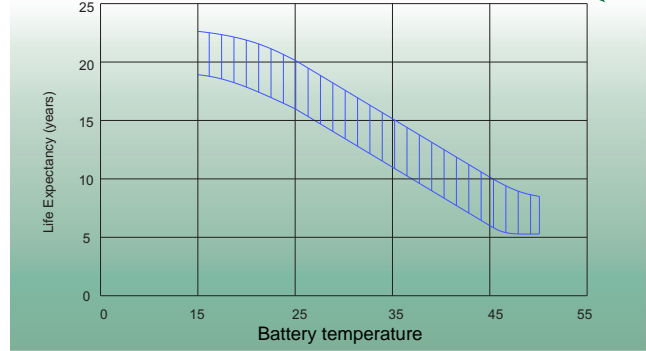
Float Charging Characteristics Temperature: 25°C



Temperature Effects in Relation to Battery Capacity



Effect of Temperature on Long Term Float Life



OPzV tubular gel batteries are made with tubular plate and gel electrolyte, with super high quality and performance. The service life of batteries will be affected and changed according to numbers of deep discharge cycles, ambient temperature, charging voltage and current.

When batteries are stored at 25°C, charge batteries once every 6 months.

Designed float life is 20 years at 25°C

Charging Methods as below:

Constant Voltage: $0.2C \times 2h + 2.35 - 2.4V/cell \times 24h$, Max. current: $0.2C$

Charging Current: $0.2C \times 2h + 0.1C \times 12h$